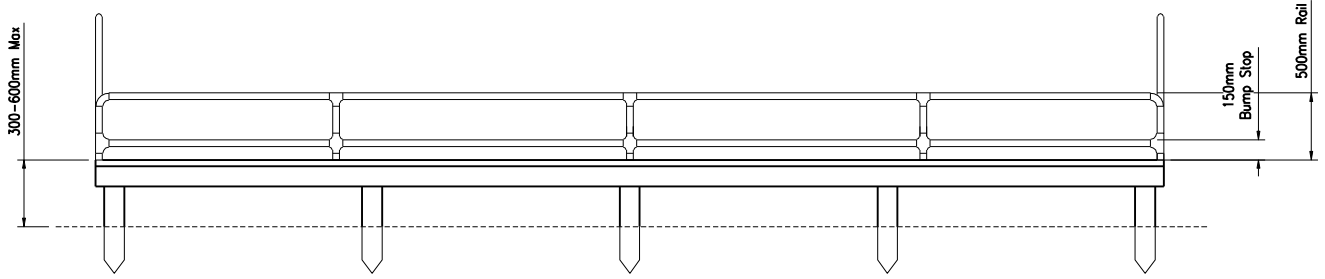
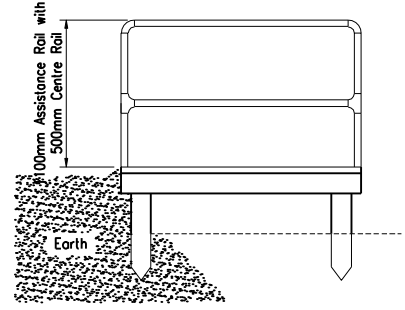


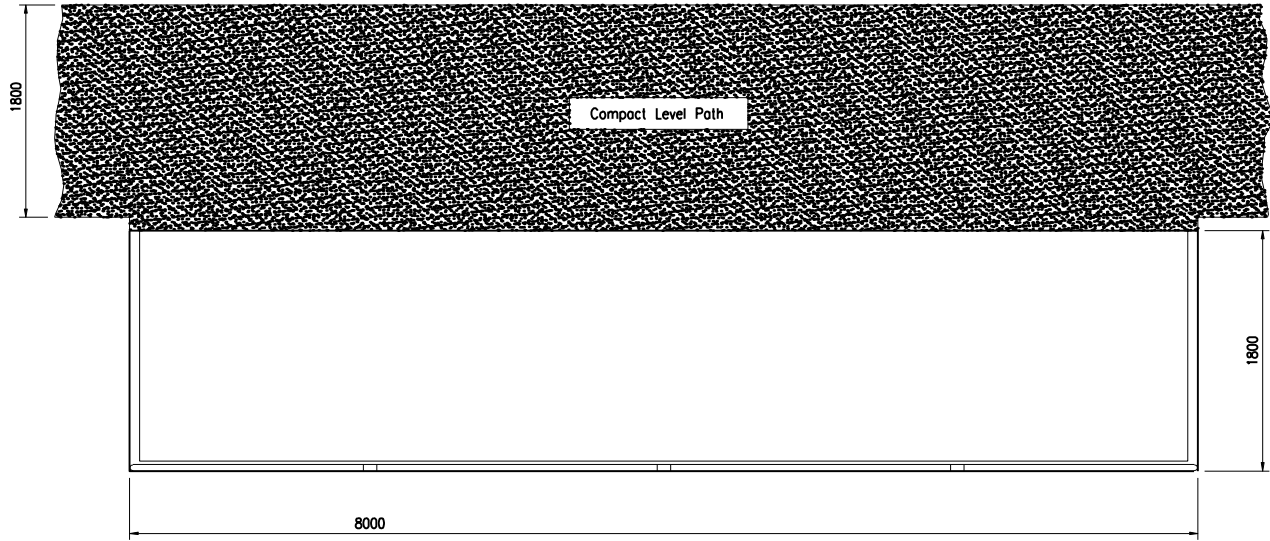
© COPYRIGHT
 This document is the property of BDAA and is loaned only upon condition that it is not to be copied or reproduced, nor to be used for furnishing information to others or any other purpose detrimental to the interest of BDAA.



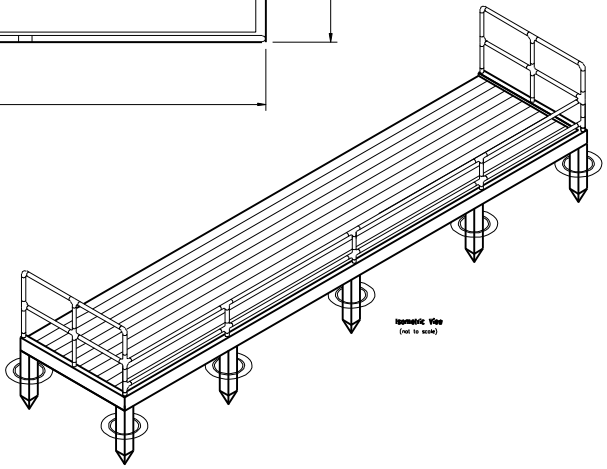
Front Elevation



End Elevation



Plan View




Isometric View
(not to scale)

B	07.06.09	RAIL INCREASED, NOTE CHANGED	MC
A	06.04.09	FIRST ISSUE	MC
REV	DATE	AMENDMENTS	INT

TITLE
 FAMILY PLATFORM 8000mm x 3600mm
 (OVER THE WATER VERSION WITH FRONT SAFETY RAIL)

CLIENT
 BRITISH DISABLED ANGLING ASSOCIATION



Registered Charity No. 1074729

SCALE	N.T.S	DATE	06.04.09
DRAWN BY	MC	SHEET SIZE	A4
CHECKED BY	TM	COPYRIGHT	©

DRAWING No. C1000-016

REV B